

**NOTES:**

ALL DIMENTIONS ARE IN METER.

**PROP. OF:**



**REGISTRATION CENTER  
MULTIPALE LOCATIONS**

**SITE PLAN**

**SCALE 1:250**

**SHEET:**

DESIGN (01)

**REV.:**

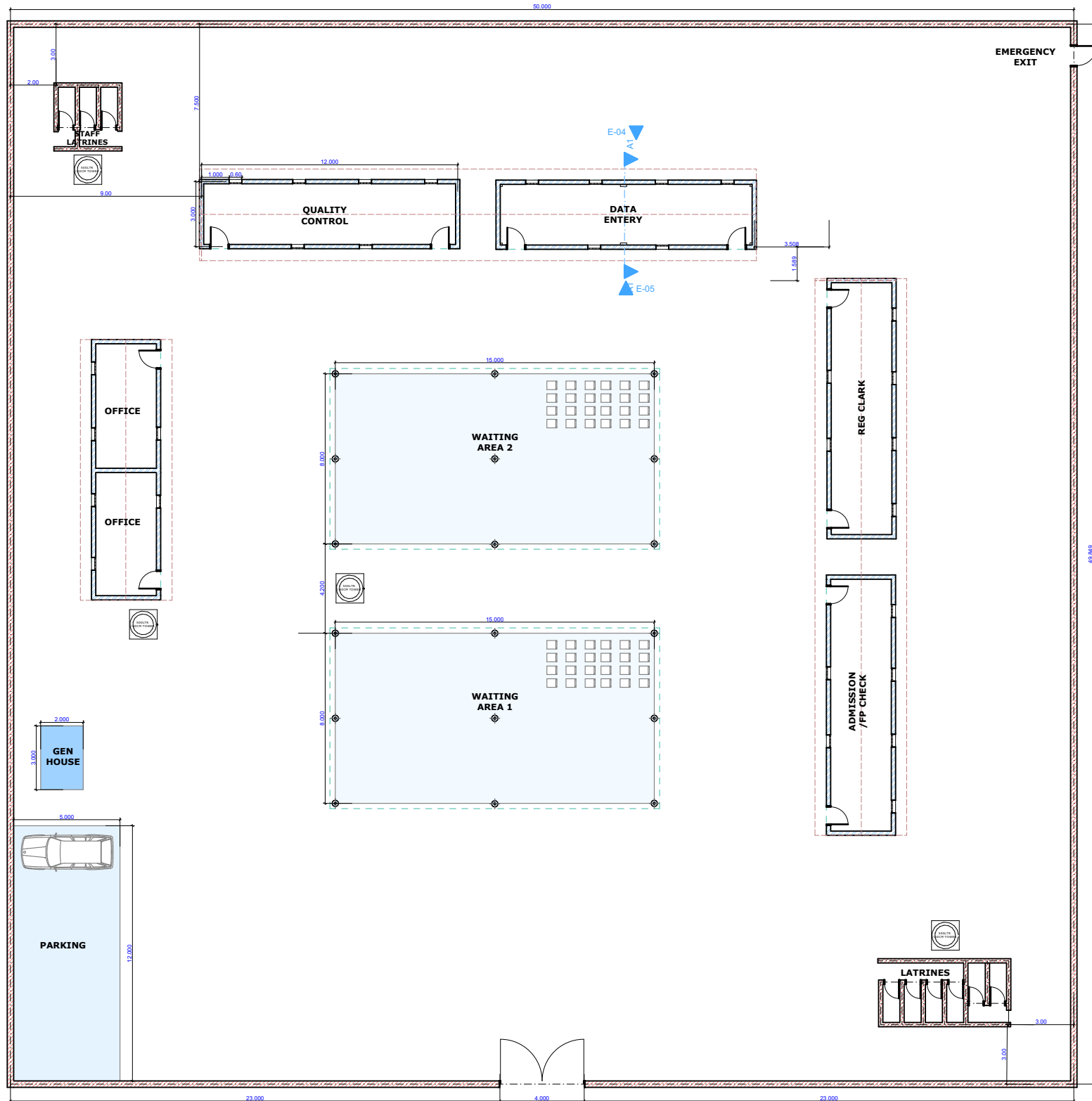
NOV 2020

REV.(01)

**DESIGN & DRAWINGS:**



**FEEDBACK: BAKERM@UNHCR.ORG**



**NOTES:**

ALL DIMENTIONS ARE IN METER.

**PROP. OF:**



**REGISTRATION CENTER  
MULTIPALE LOCATIONS**

**FLOOR PLAN**

**SCALE 1:250**

**SHEET:**

DESIGN (02)

**REV.:**

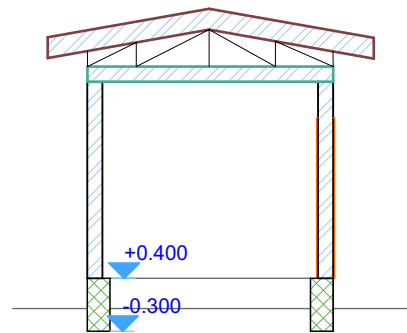
NOV 2020

REV.(01)

**DESIGN & DRAWINGS:**



**FEEDBACK: BAKERM@UNHCR.ORG**



**NOTES:**

ALL DIMENSIONS ARE IN METER.

**PROP. OF:**



**REGISTRATION CENTER  
MULTIPALE LOCATIONS**

**SECTION A-A**

**SCALE 1:100**

**SHEET:**

DESIGN (03)

**REV.:**

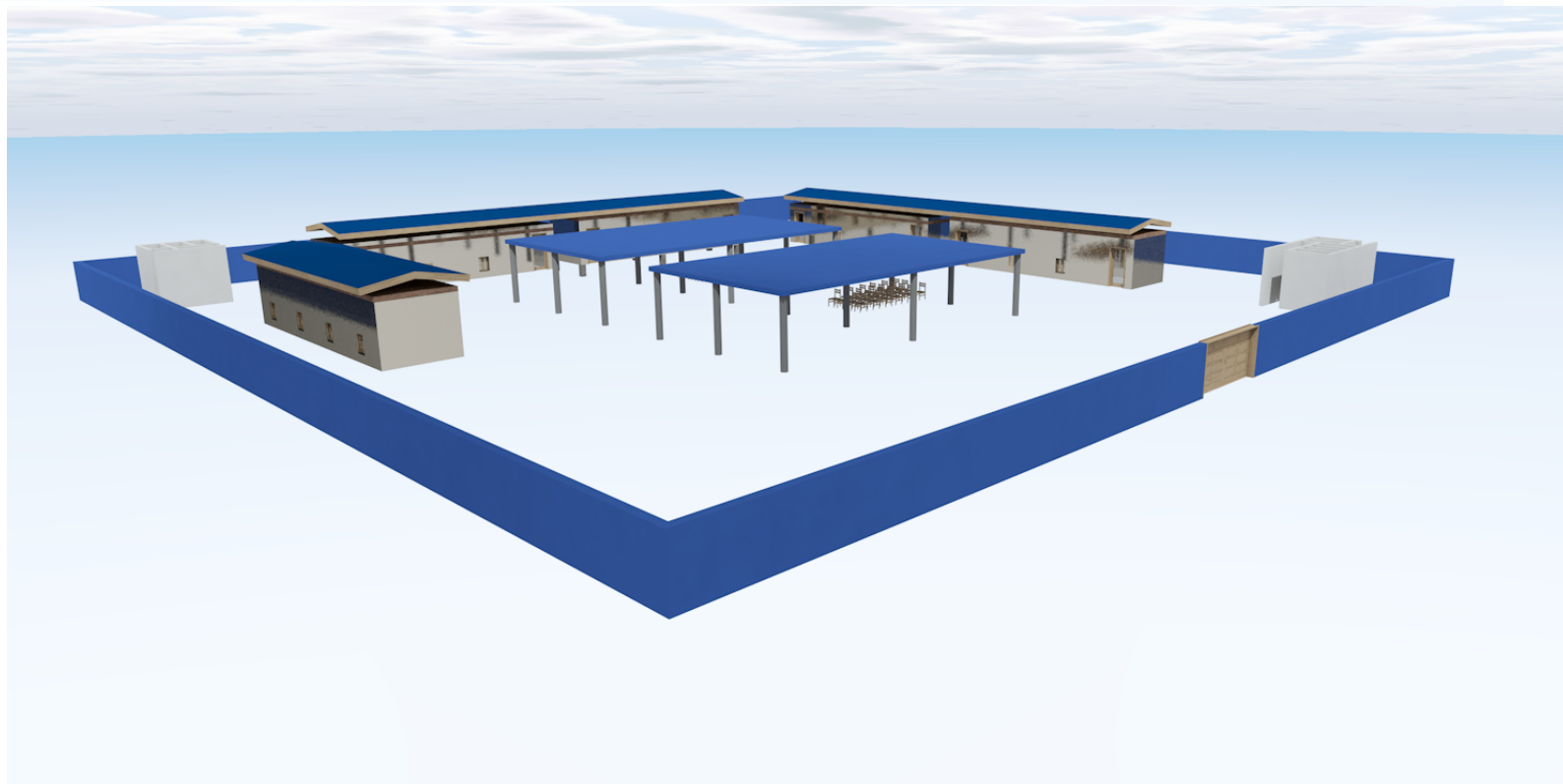
NOV 2020

REV.(01)

**DESIGN & DRAWINGS:**



**FEEDBACK: BAKERM@UNHCR.ORG**



**NOTES:**

ALL DIMENSIONS ARE IN METER.

**PROP. OF:**



**REGISTRATION CENTER  
MULTIPLE LOCATIONS**

**VIEWS**

**SHEET:**

DESIGN (04)

**REV.:**

NOV 2020

REV.(01)

**DESIGN & DRAWINGS:**



FEEDBACK: BAKERM@UNHCR.ORG